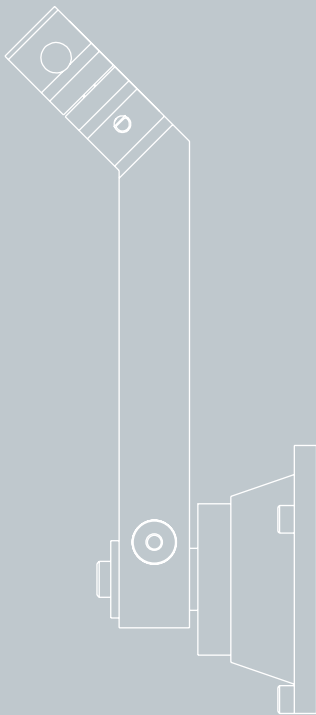


RoboMIG Torch mounts



High precision parts

Different geometries

Various mounting possibilities

Custom design solutions available



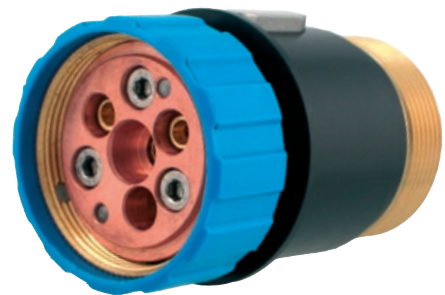
TBi RoboMIG mount 22°; model D2

TBi RoboMIG quick-change adaptor

With the TBi quick-change adaptor, replacement of the torch is easily done without the need for tools.

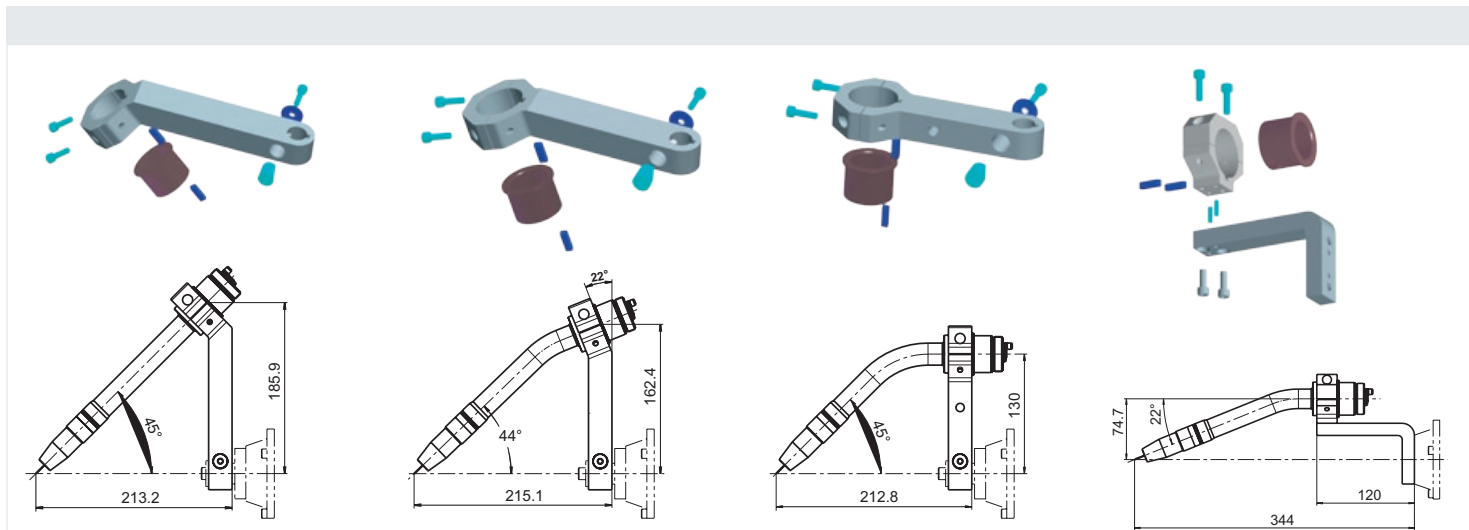
- Feather key for precise alignment
- Automatic valves in the water circuit prevent water loss during the neck change
- Outer diameter 41.0 mm

Part no. 671P101041



RoboMIG

Torch mounts for direct clamping



Model D1

RoboMIG mount 45°
for straight torch (0°)
Part no. 536P101281 *

Model D2

RoboMIG mount 22°
for 22° bent torch
Part no. 536P101266 *

Model D3

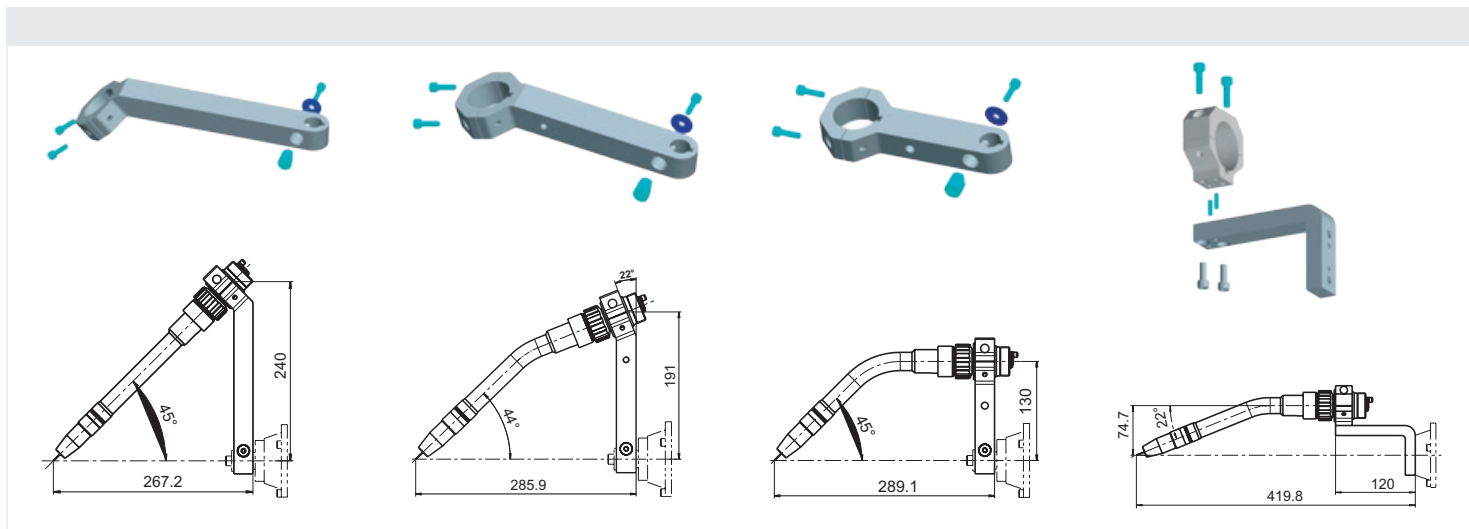
RoboMIG mount 0°
for 45° bent torch
Part no. 536P101280 *

Model D4

RoboMIG mount Z-shape
for 22° bent torch
Part no. 536P101906

RoboMIG

Torch mounts for quick-change adaptor



Model A1

RoboMIG mount 45°
for straight torch (0°)
Part no. 536P101283 *

Model A2

RoboMIG mount 22°
for 22° bent torch
Part no. 536P101267 *

Model A3

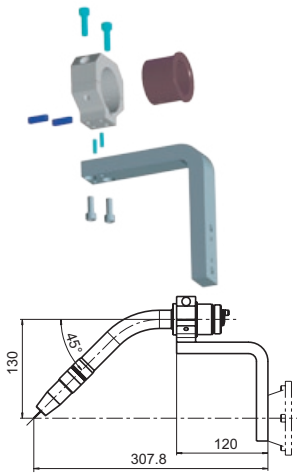
RoboMIG mount 0°
for 45° bent torch
Part no. 536P101282 *

Model A4

RoboMIG mount Z-shape
for 22° bent torch
Part no. 536P101906

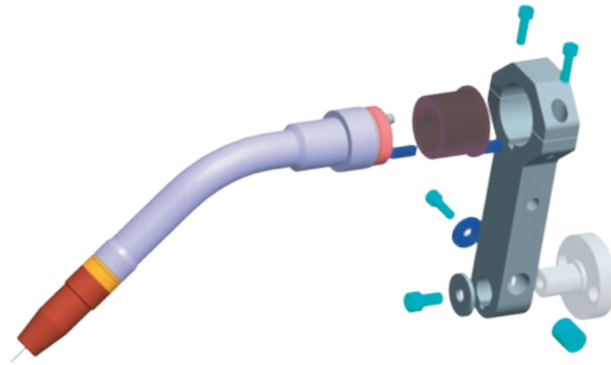
All mounts are supplied with installation material.

* For installation on the safety-off mechanism TBi KS-1, please also order the mounting flange: Part no. 536P102540.

**Model D5**

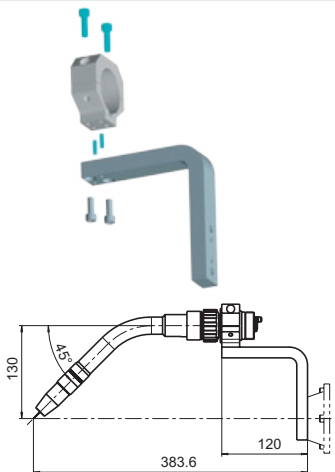
RoboMIG mount Z-shape
for 45° bent torch

Part no. 536P101907

**Torch mounts for direct clamping**

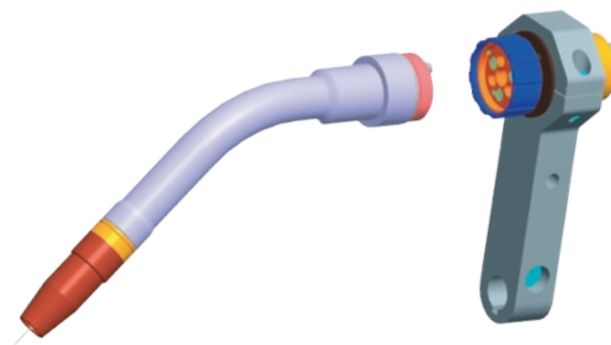
We recommend this kind of clamping for most applications. Due to the rugged long-life design of the TBi RoboMIG torches, a change of the neck is seldom necessary.

- Highest TCP precision of ± 0.05 mm is reached
- The regular maintenance of the torch can be performed easily in the mounted position by changing the consumables.
- The torch neck can be changed in a short time with repeatable precision

**Model A5**

RoboMIG mount Z-shape
for 45° bent torch

Part no. 536P101907

**Torch mounts for quick-change adaptor**

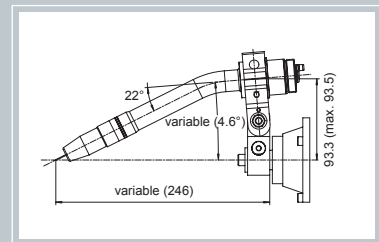
For special requirements, the quick-change adaptor is installed on the mount. Afterwards, the cable assembly and the torch neck are directly connected to the adaptor. Now, the torch body can be easily serviced outside of the welding cell.

- High TCP precision
- The torch neck can be changed manually within a few seconds
- The original TCP position will be preserved, there is no need for a setting tool

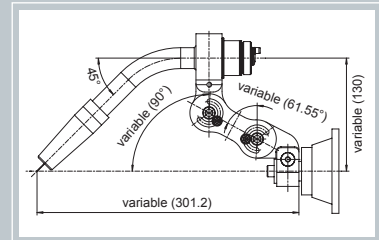
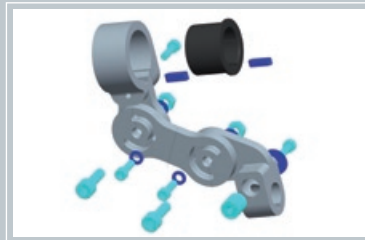
Ready for Tomorrow.

Special mounts
Further designs are available

Mount with 1 joint
Part no. 536P101284

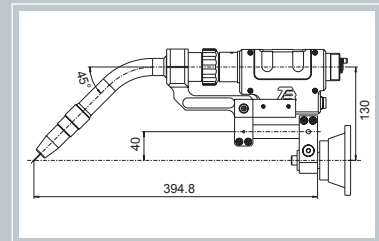
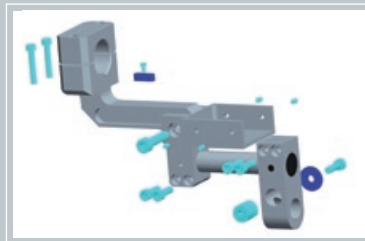


Mount with 2 joints
Part no. 536P101250



Mount for TBi PowerPull-Box, straight

Part no. 536P101272



Mount for TBi PowerPull-Box, with 1 joint

Part no. 536P101273

